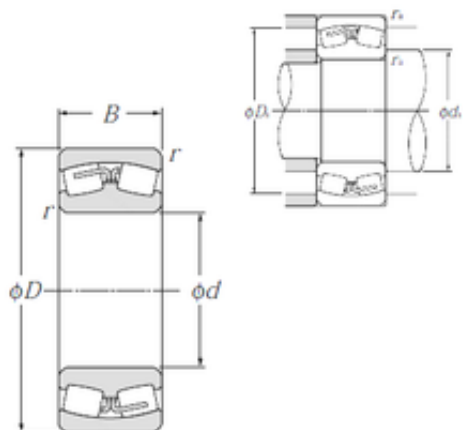




NTN BEARING CORP. LTD.

500 mm x 830 mm x 264 mm NTN 231/500B Rolamentos autocompensadores de rolos



Bearing No. 231/500B

Size	500x830x264 mm
Bore Diameter	500 mm
Outer Diameter	830 mm
Width	264 mm
d	500 mm
D	830 mm
B	264 mm
C	264 mm
r min.	7,5 mm
da min.	536 mm
Da max.	794 mm
ra max.	6 mm
Weight	584 Kg
Basic dynamic load rating (C)	6 950 kN
Basic static load rating (C0)	13 700 kN
(Grease) Lubrication Speed	330 r/min
(Oil) Lubrication Speed	430 r/min
Calculation factor (e)	0,32
Calculation factor (Y0)	2,08
Calculation factor (Y1)	2,12

231/500B Bearing 2D drawings and 3D CAD models